



BB Installation & Extraction Tool



CeramicSpeed tools are designed to complement the CeramicSpeed range of products for installation, maintenance, and general product care. Each part has been thoughtfully designed to deliver the best user experience and precisely execute the intended purpose.

EAN 5711050064373 // Item 106619

CeramicSpeed BB installation tool

To ensure the best fitment between bottom bracket and tool, CeramicSpeed has developed an innovative bottom bracket press for professional & home workshops alike. Featuring an internal CeramicSpeed bearing in the press head to reduce sliding friction against the drifts, as well as a custom range of alloy, dual-sided drifts for all press-fit CeramicSpeed bottom bracket models, the CeramicSpeed BB installation tool is designed to match the quality of all CeramicSpeed products. No guarantee can be made for the compatibility of this tool with bottom brackets from other manufactures.

CeramicSpeed BB removal tool

As part of a complete bottom bracket tool solution, CeramicSpeed has created an effective bottom bracket cup and bearing extraction tool. Removing the need for a hammer & punch, or slide hammer tool, the blunt force impact is eliminated, protecting the bearings, seals, and cup edges for future use. With eight (8) individual extraction drifts, all three generations of CeramicSpeed cups, both 41mm & 46mm, are covered. Three extraction cups in POM (low friction, durable plastic) are included to fit outside of the CeramicSpeed 41mm or 46mm cups and allow the tool to rest against the frame for cup removal, the third cup is for other manufactures 46mm press fit cups with a larger lip OD. This material was chosen for its durability while also preserving the paint finish of the bicycle. No guarantee can be made for the compatibility of this tool for removing bottom brackets from other manufactures.

An extension tube is provided to expedite extraction & avoid the need to thread the center bolt completely through the BB. An 8mm hex key is included to ensure this kit is complete & ready to use on its own. All parts come in a custom storage & travel case for the ultimate organization.

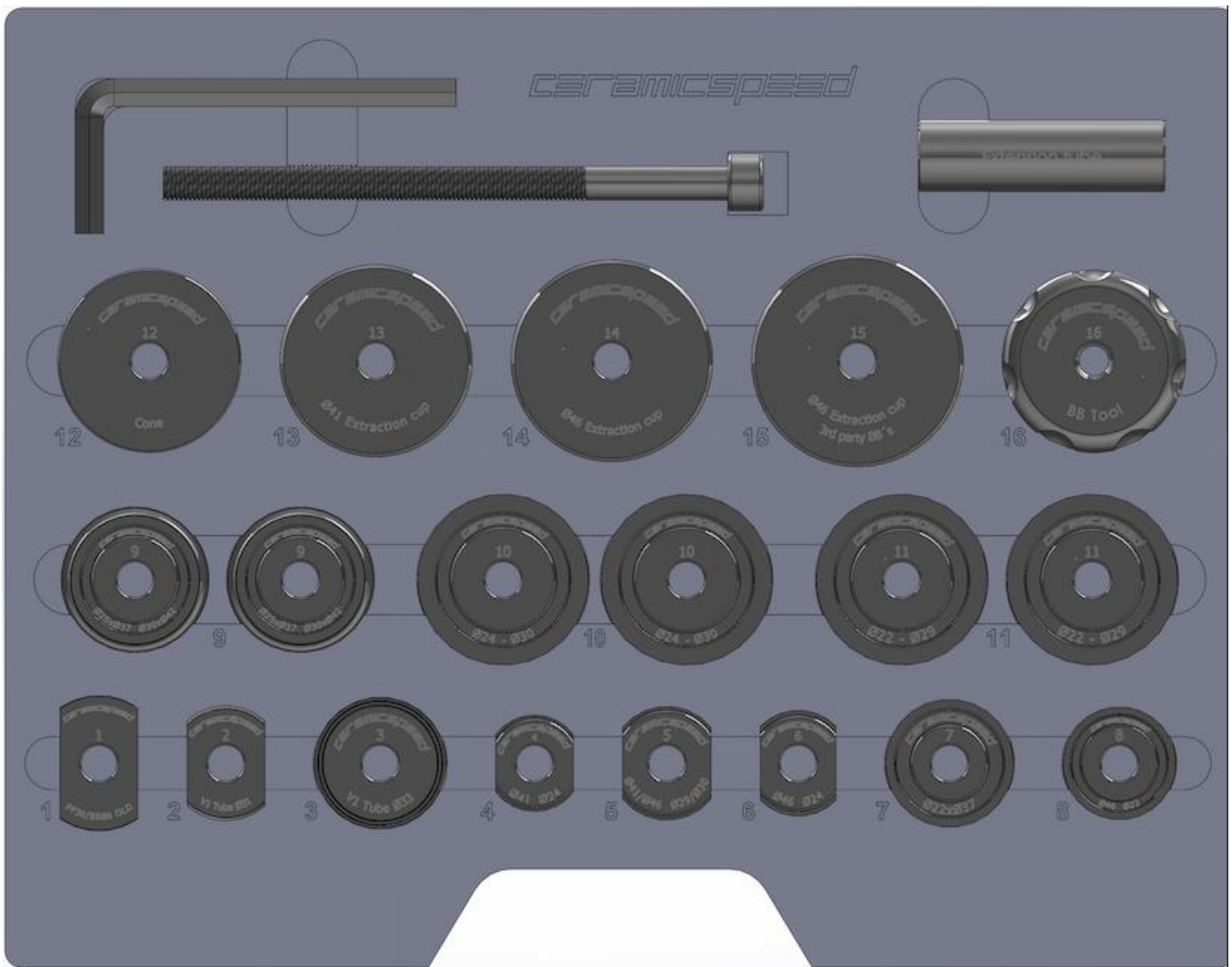
Standout Features -

- Integrated CeramicSpeed bearing in press head to remove sliding friction & ease installation
- Clearly labeled drifts for simple selection & use
- Centering cone for aligning 1st cup installation
- 2X each installation drift included

Tool Overview

With clear labeling on each part & matching labeled slot in the storage case, it is simple to keep all pieces organized and easy to find.

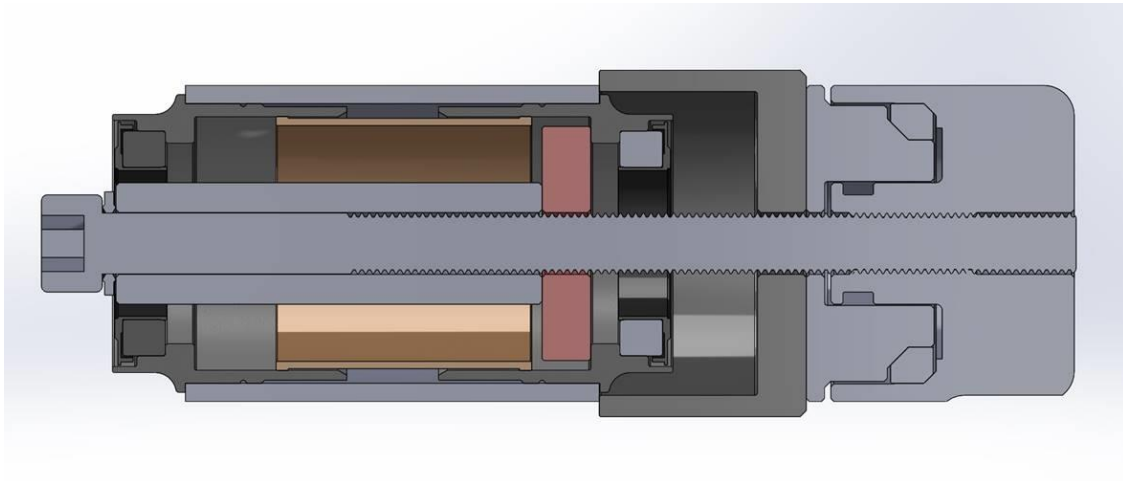
Below you will find an overview of the case, and each item included.



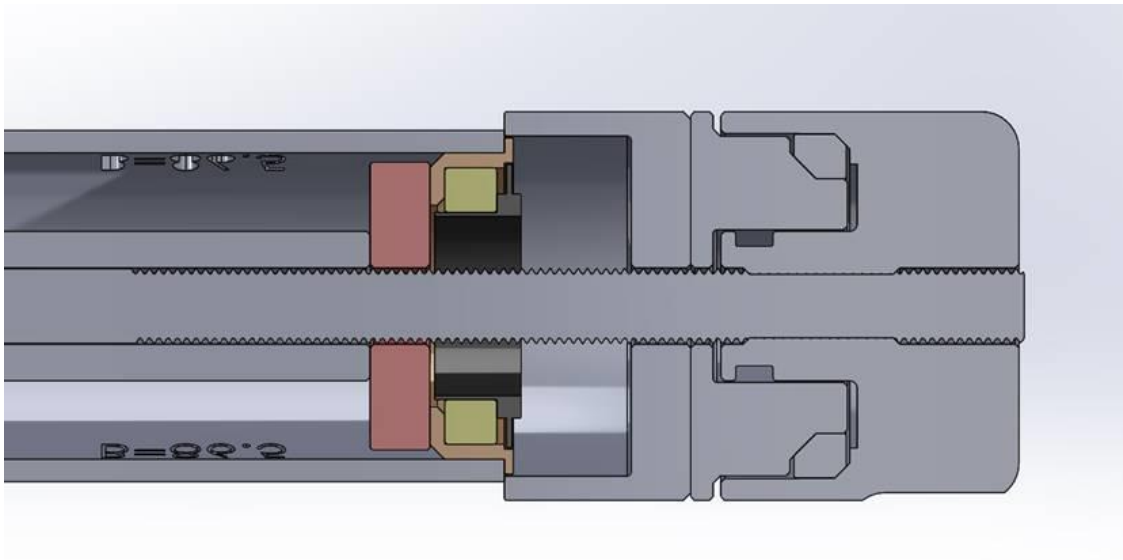
Contents

- 1) PF30/BB86 Classic = Extraction drift for 1st gen BB86 cups (flat backside/no interior tube) & 46mm cups with single 44mm inner sleeve.
 - a) The drift fits against the back side of the cup, with the extension tube allowing the head of the bolt to remain easily accessible to begin threading into the press head. Use the correct extraction cup for the OD of the BB cup.
 - b) For GXP units, 24mm extraction must be done first

46mm Cup

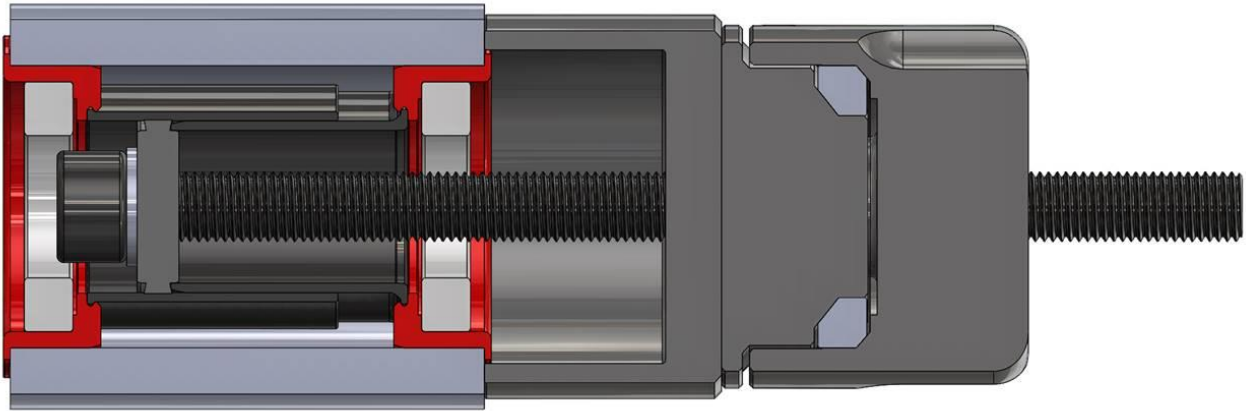


44mm Cup

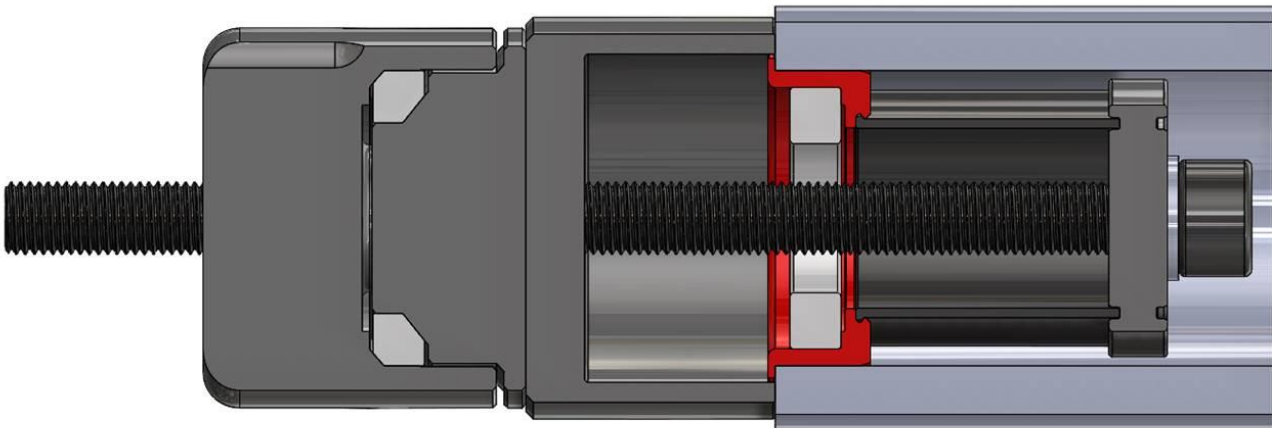


- 2) V1 Tube Ø31 = 31mm internal spacer tube extraction drift.
 - a) Used on BB cups released in 2018 without an alloy lip inside of the 2-part spacer tube
 - b) Be sure to use the 46mm extraction cup, placed over the face of the cup to be removed.

- c) Remove the inner spacer tube/sleeve first (1st) by locating the drift on the lip of the tube. The tube will carry the load and push the cup out of the frame.

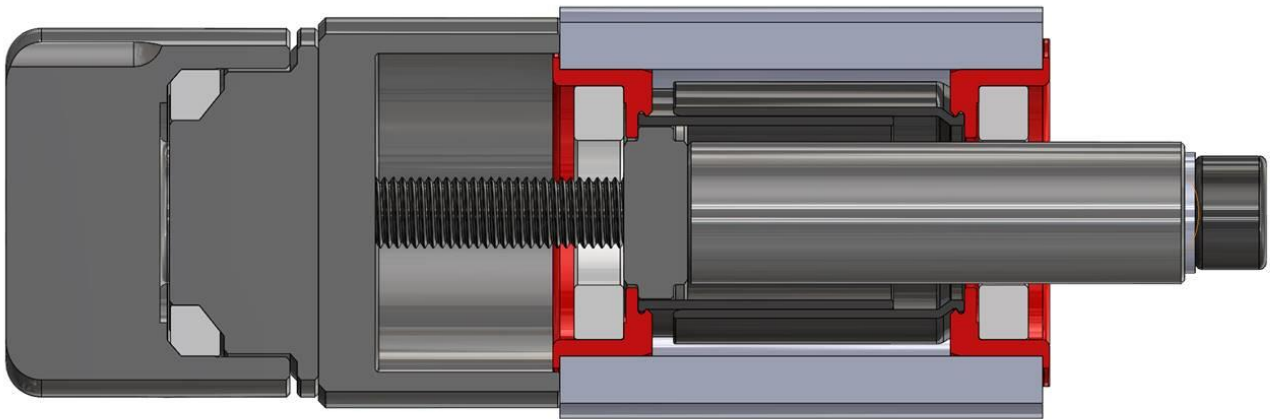


- 3) V1 Tube $\text{Ø}33 = 33\text{mm}$ internal spacer tube extraction drift
- a) Used on BB cups released in 2018 without an alloy lip inside of the 2-part spacer tube. This is for the 'outer' tube.
 - b) Use the remaining spacer tube/sleeve to extract the second cup after the first cup/tube is removed by locating the drift flat on the end of the tube. The tube will carry the load and push the cup out of the frame.



- 4) $\text{Ø}41 \text{Ø}24 = \text{BB86}$ extraction drift for 24mm bearing
- a) This will lay flat against the backside of the cup, use the extension tube between the drift & the head of the bolt for easy extraction

- b) On GXP units you must extract the 24mm side first
- 5) $\varnothing 41/\varnothing 46$ & $\varnothing 29/\varnothing 30$ = BB30, PF41/PF46 DUB & 30mm extraction drift
- a) For cups released in late 2018 with an internal alloy lip, the drift fits inside the sleeve and is used on both sides
 - b) If there is no alloy lip present, you have the V1 cups & should use drifts 2 & 3 above
 - c) For BB30 bearings, locate the drift flat against the backside of the bearing, removing them one at a time
 - d) Use the 46mm extraction cup flat on the frame, centered around the cup/bearing



- 6) $\varnothing 46 \varnothing 24$ = PF46 Shimano extraction drift
- a) For cups released in late 2018 with an internal alloy lip, the drift fits inside the sleeve and is used on both sides
 - b) If there is no alloy lip present, you have the V1 cups & should use drifts 2 & 3 above
 - c) The flat sides of the drift allow it to be inserted sideways and turned flat against the inside of the cup
 - d) Use the 46mm extraction cup flat on the frame, centered around the cup/bearing
- 7) $\varnothing 22 \times \varnothing 37$ = BB90 installation drift 22mm / GXP bearing
- a) Use only for the 22mm/GXP bearing installation
 - b) Use drift #9 for the 24mm bearing installation
- 8) $\varnothing 46 \varnothing 22$ = PF46 GXP extraction drift
- a) Use only for the 22mm/GXP bearing extraction
 - b) Use drift #6 for the 24mm bearing extraction
- 9) $\varnothing 25 \times \varnothing 37$ & $\varnothing 30 \times \varnothing 42$ = 2X BB90 24mm installation drift & BB30 installation drift

- a) For Shimano compatible BB's, remove the plastic dust cover before installation so as to fit the 25mm drift face against the bearing accurately

10)Ø24 - Ø30 = 2X PF46 Shimano & PF4630 installation drift

11)Ø22 - Ø29 = 2X PF46 GXP & PF46 DUB installation drift

12)Cone = Use for centering & starting first cup on tight frames

- a) Only to be used for starting 1st cup on stubborn or tight-fitting frames
- b) Do not use against the face of the BB, only on the frame bore

13)Ø41 = Extraction cup for BB86/92

- a) Ensure the cup can rest flat against the frame with contact all the way around
- b) Not compatible with frames that do not have material all the way around the BB cup

14)Ø46 = Extraction cup for PF30/EVO386/BBright and BB30 bearings

- a) Ensure the cup can rest flat against the frame with contact all the way around
- b) Not compatible with frames that do not have material all the way around the BB cup

15)Ø46 = Extraction cup for PF30/EVO386/BBright

- a) Larger ID cup designed to fit bottom brackets from other manufactures featuring a cup lip with a larger diameter than CeramicSpeed cups

16)Press head w/CeramicSpeed internal bearing

- a) The integrate bearing design of the CeramicSpeed press head allows for easy installation & extraction of CeramicSpeed cups & bearings for bottom brackets
- b) If you are unable to install a cup or bearing by using only your hand, check the cup/bearing is going in straight, and that the frame bore is clean and free of debris or glue, **DO NOT FORCE** a bearing or cup into a frame that is too tight

Additional Items;

- a) Extension Tube
- b) Core bolt w/8mm hex head
- c) 8mm hex key