
Data Sheet

Bearing Units



CERAMICSPEED

A Bearing Unit Tougher Than the Rest

In the food and beverage industry reliability is everything. Production stops cost money. Lots of it. Planned or unplanned. Therefore the demand for longer lasting production equipment, which can live up to the large demands for hygiene and food safety from the food and beverage industry is increasing.

Top Quality - Minimal Maintenance

CeramicSpeed Bearing Units are produced in polyurethane and have a very smooth and rounded surface, which makes it impossible for e.g. bacteria and water to penetrate the unit. The Bearing Units endure frequent wash downs. The reduced cost of maintenance due to no need for re-lubrication make them the obvious choice for in particular the food and beverage industry.

To make CeramicSpeed Bearing Units the best in the market we have fitted them with the highest quality of hybrid ball bearings with premium-quality ceramic (Si₃N₄) balls, which are 2 times harder and 4 times smoother than steel.

Why Choose Bearing Units with Hybrid Ball Bearings?

- Extremely long service life
- FDA-approved
- Always stainless rings
- Very tolerant towards temperature extremes -30°C and up to + 100°
- Very hygienically
- Standard dimensions
- Minimal maintenance

Hygienically and extremely durable

We produce the Bearing Units both with FDA approved grease and our self-developed SLT, which is ideal for very harsh environments and if the maintenance is difficult. A Bearing Unit with SLT is extremely durable and a maintenance free solution for demanding productions in many industries.

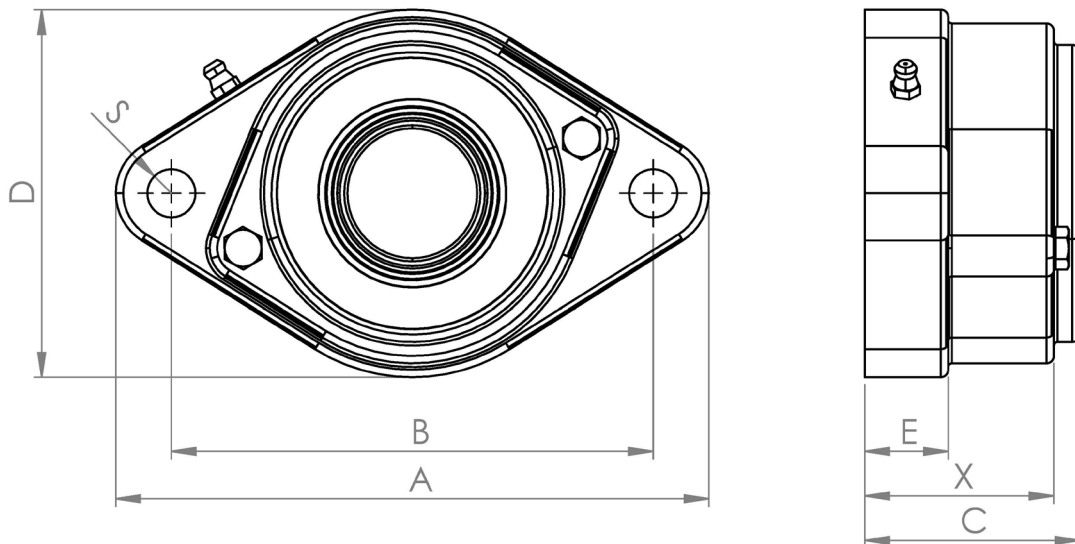
F2 Bearing Unit

Item no.	Designation	A	B	C	D	E	S	X	Price/pcs. EUR
100851	Corrotec 020 NG 20 F20/CSB Closed	116	90	51	75	22,5	9	43	168
102473	Corrotec 020 NG 20 F21/CSB Open	116	90	51	75	22,5	9	43	168
100852	Corrotec 025 NG 25 F20/CSB Closed	123	99	52	79	22,5	9	44	183
100853	Corrotec 025 NG 25 F21/CSB Open	123	99	52	79	22,5	9	44	183
100856	Corrotec 030 NG 30 F21/CSB Open	145	117	58	90	22,5	11	48	212
100857	Corrotec 030 NG 30 F20/CSB Closed	145	117	58	90	22,5	11	48	212
100860	Corrotec 035 NG 35 F21/CSB Open	160	130	60	99	22,5	13,5	50	228
100861	Corrotec 035 NG 35 F20/CSB Closed	160	130	60	99	22,5	13,5	50	228
100862	Corrotec 040 NG 40 F20/CSB Closed	174	144	65	110	22,5	13,5	56	285
100863	Corrotec 040 NG 40 F21/CSB Open	174	144	65	110	22,5	13,5	56	285
107562	Corrotec 050 NG 50 F20/CSB Closed	197	157	70	125	26,5	17,5	58	332
107563	Corrotec 050 NG 50 F21/CSB Open	197	157	70	125	26,5	17,5	58	332

Additional cost for SLT:

ID20-ID30: 38 EUR

ID35-ID50: 47 EUR



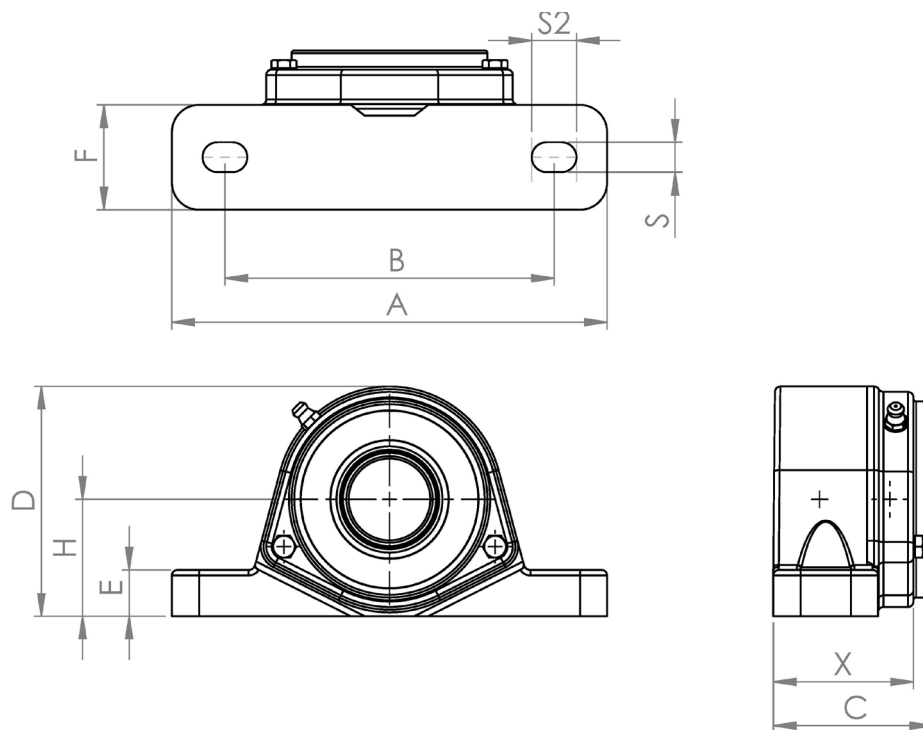
SF2 Bearing Unit

Item no.	Designation	A	B	C	D	E	F	H	S	X	Price/pcs EUR
107564	Corrotec 020 NG 20 SF21/CSB Open	127	95	52	67	14	33,5	33,3	9	43	168
107565	Corrotec 020 NG 20 SF20/CSB Closed	127	95	52	67	14	33,5	33,3	9	43	168
107567	Corrotec 025 NG 25 SF21/CSB Open	140	105	53	73	15	34,5	36,5	9	44	183
107566	Corrotec 025 NG 25 SF20/CSB Closed	140	105	53	73	15	34,5	36,5	9	44	183
107413	Corrotec 030 NG 30 SF21/CSB Open	160	121	59	85	17	38,5	42,9	11	48	212
107568	Corrotec 030 NG 30 SF20/CSB Closed	160	121	59	85	17	38,5	42,9	11	48	212
102130	Corrotec 035 NG 35 SF21/CSB Open	167	127	60	93	18	38,5	47,6	13	52	228
107570	Corrotec 035 NG 35 SF20/CSB Closed	167	127	60	93	18	38,5	47,6	13	52	228
100865	Corrotec 040 NG 40 SF21/CSB Open	184	137	66	100	18	42,5	49,2	13	54	285
107571	Corrotec 040 NG 40 SF20/CSB Closed	184	137	66	100	18	42,5	49,2	13	54	285

Additional cost for SLT:

ID20-ID30: 38 EUR

ID35-ID50: 47 EUR



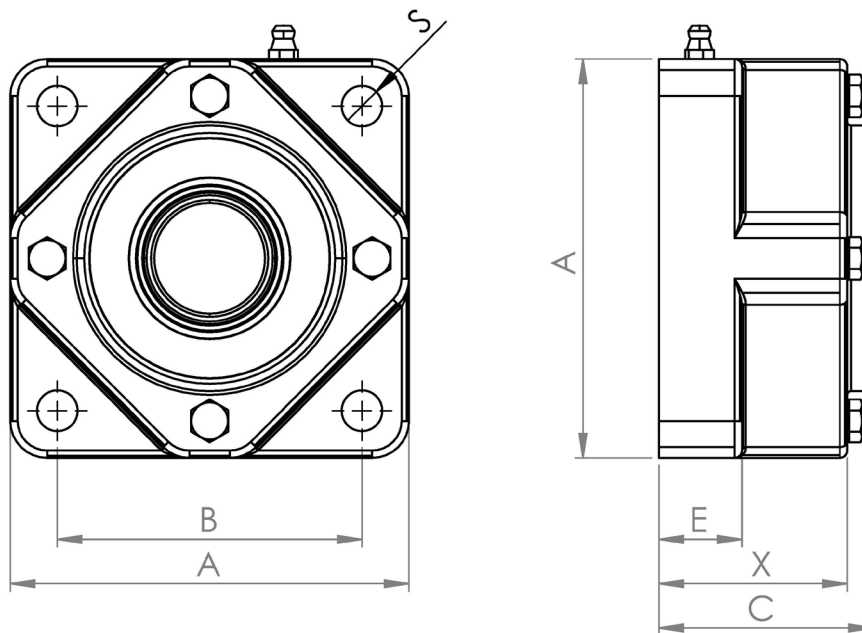
F4 Bearing Unit

Item no.	Designation	A	B	C	E	S	X	Price pr. pcs. EUR
107558	Corrotec 020 NG 20 F40/CSB	86	63,5	51	22,5	9	43	168
107559	Corrotec 020 NG 20 F41/CSB Open	86	63,5	51	22,5	9	43	168
100854	Corrotec 025 NG 25 F40/CSB	95	70	52	22,5	9	44	183
100855	Corrotec 025 NG 25 F41/CSB Open	95	70	52	22,5	9	44	183
100858	Corrotec 030 NG 30 F40/CSB	108	82,5	58	22,5	11	48	212
100859	Corrotec 030 NG 30 F41/CSB Open	108	82,5	58	22,5	11	48	212
107525	Corrotec 035 NG 35 F40/CSB	118	92	60	22,5	13,5	50	228
107526	Corrotec 035 NG 35 F41/CSB Open	118	92	60	22,5	13,5	50	228
100864	Corrotec 040 NG 40 F40/CSB	130	101,5	65	22,5	13,5	56	285
107560	Corrotec 040 NG 40 F41/CSB Open	130	101,5	65	22,5	13,5	56	285
107561	Corrotec 050 NG 50 F40/CSB	143	111	70	26,5	16	58	332
102205	Corrotec 050 NG 50 F41/CSB Open	143	111	70	26,5	16	58	332

Additional cost for SLT:

ID20-ID30: 38 EUR

ID35-ID50: 47 EUR



CERAMICSPEED